

Tippette

FULL SIZED ROCKER SWITCHES

The Tippette Series is a traditionally styled rocker switch, available in sealed or unsealed versions. These switches are appropriate for use in general purpose applications which may or may not require a modicum of environmental protection. The Tippette Series is available in both illuminated and non-illuminated versions and features a wide variety of circuits, actuator styles and bracket options. This versatile offering includes international agency certifications and ratings to 26 amps for select circuits.



Product Highlights:

- Ratings Up to 26 Amps 250 VAC
- Illuminated or Non-Illuminated
- Multiple Termination, Mounting and Rocker Options

Typical Applications:

- General Purpose Applications
- Commercial Food Equipment
- Recreational Vehicles



Electrical

| | |
|----------------|---|
| Contact Rating | 15 amps, 125 VAC 10 amps, 250 VAC 3/4 HP 125-250 VAC 15 amps, 12-30 VDC |
| Life | 25,000 cycles circuit dependent 50,000 cycles circuit dependent consult factory for applicable circuits. |
| Contacts | Fine silver, silver cad-oxide |
| Terminals | Brass or copper/silver plate 1/4" (6.3mm) Quick Connect terminations standard. Solder lug - Brass Tin Plated Wire Lead 16 gauge standard 105°C 600VAC Screw Terminals - Brass |

Agency Certifications



Select circuits and constructions with VDE/IEC approvals are available. Consult factory

Physical

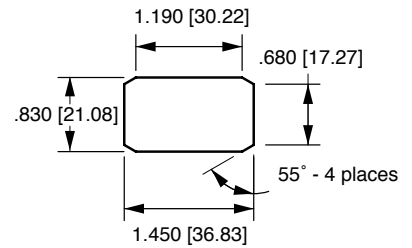
| | |
|----------------|---|
| Lighted | Incandescent - rated 10,000 hours Neon - rated 25,000 hours |
| Seals | Bracket - Actuator WBL/MBL optional external gasket panel seal |
| Base | Phenolic (150°C) |
| Rocker/Bracket | Nylon 66 (105°C) |

Mechanical

| | |
|-----------|------------------------|
| Endurance | 100,000 cycles minimum |
|-----------|------------------------|

Mounting

MOUNTING HOLE
(Nylon Snap-in Brackets)
Panel Thickness:
.040 min. - .250 max.



*Angled corners are suggested for optimum fit. Standard rectangular cutout is acceptable.

*Manufacturer reserves the right to change product specification without prior notice.

TIGA51 - 6M - BL - MBL

1 Base Part Number 2 Actuator Style 3 Actuator Color 4 Bracket

1 BASE PART NUMBER: SERIES/POLES / CIRCUITRY ^{8,11} / RATING ⁷ / TERMINATION ¹⁰

10A 250VAC, 15A 125VAC, 3/4 HP 125-250VAC, 15A 6-28VDC

Single Pole in Double Pole base ²

| solder lug | .250 tab | screw term. | wire leads | |
|------------|----------|-------------|------------|---------------|
| TIGA50 | TIGA51 | TIGA54 | TIGA55 | On-None-Off |
| TIGA5A | TIGA5B | TIGA5E | TIGA5F | (On)-None-Off |
| TIGA5L | TIGA5M | TIGA5S | TIGA5T | On-None-(Off) |
| TIGB50 | TIGB51 | TIGB54 | TIGB55 | On-None-On |
| TIGB5A | TIGB5B | TIGB5E | TIGB5F | On-None-(On) |
| TIGC50 | TIGC51 | TIGC54 | TIGC55 | On-Off-On |
| TIGC5A | TIGC5B | TIGC5E | TIGC5F | On-Off-(On) |
| TIGC5L | TIGC5M | TIGC5S | TIGC5T | (On)-Off-(On) |

Double Pole

| solder lug | .250 tab | screw term. | wire leads | |
|------------|----------|-------------|------------|--|
| TIGK50 | TIGK51 | TIGK54 | TIGK55 | |
| TIGK5A | TIGK5B | TIGK5E | TIGK5F | |
| TIGK5L | TIGK5M | TIGK5S | TIGK5T | |
| TIGL50 | TIGL51 | TIGL54 | TIGL55 | |
| TIGL5A | TIGL5B | TIGL5E | TIGL5F | |
| TIGM50 | TIGM51 | TIGM54 | TIGM55 | |
| TIGM5A | TIGM5B | TIGM5E | TIGM5F | |
| TIGM5L | TIGM5M | TIGM5S | TIGM5T | |

Three Pole

| solder lug | .250 tab | screw term. | wire leads | |
|------------|----------|-------------|------------|---------------|
| TIHK50 | TIHK51 | TIHK54 | TIHK55 | On-None-Off |
| TIHK5A | TIHK5B | TIHK5E | TIHK5F | (On)-None-Off |
| TIHK5L | TIHK5M | TIHK5S | TIHK5T | On-None-(Off) |
| TIHL50 | TIHL51 | TIHL54 | TIHL55 | On-None-On |
| TIHL5A | TIHL5B | TIHL5E | TIHL5F | On-None-(On) |
| TIHM50 | TIHM51 | TIHM54 | TIHM55 | On-Off-On |
| TIHM5A | TIHM5B | TIHM5E | TIHM5F | On-Off-(On) |
| TIHM5L | TIHM5M | TIHM5S | TIHM5T | (On)-Off-(On) |

Four Pole

| solder lug | .250 tab | screw term. | wire leads | |
|------------|----------|-------------|------------|--|
| TIK50 | TIK51 | TIK54 | TIK55 | |
| TIK5A | TIK5B | TIK5E | TIK5F | |
| TIK5L | TIK5M | TIK5S | TIK5T | |
| TIIL50 | TIIL51 | TIIL54 | TIIL55 | |
| TIIL5A | TIIL5B | TIIL5E | TIIL5F | |
| TIIM50 | TIIM51 | TIIM54 | TIIM55 | |
| TIIM5A | TIIM5B | TIIM5E | TIIM5F | |
| TIIM5L | TIIM5M | TIIM5S | TIIM5T | |

VDE APPROVED

10A 250VAC, 15A 125VAC, 12(6)A 250VAC T85

Single Pole in Double Pole base ²

| solder lug | .250 tab | wire lead | |
|------------|----------|-----------|-------------|
| TIGA90 | TIGA91 | TIGA95 | On-None-Off |
| TIGB90 | TIGB91 | TIGB95 | On-None-On |
| TIGC90 | TIGC91 | TIGC95 | On-Off-On |

Double Pole

| solder lug | .250 tab | wire lead | |
|------------|----------|-----------|--|
| TIGK90 | TIGK91 | TIGK95 | |
| TIGL90 | TIGL91 | TIGL95 | |
| TIGM90 | TIGM91 | TIGM95 | |

Additional ratings up to 20A 125-277VAC, 1 1/2HP 125 VAC, 2HP 250VAC are available. Consult factory for specifics.

3 ACTUATOR COLOR ⁹

BL Black WH White RD Red

4 BRACKET STYLE ⁹

| | |
|--------|---|
| A | Screw Mount ⁵ |
| B | Screw Mount ^{5,12} |
| C | Screw Mount ⁵ |
| H | Screw Mount ⁵ |
| NBL | Nylon Black |
| WBL | Water shedding Black ⁴ |
| MBL | Marine Style Black ^{4,6} |
| FN | Metal Snap-In ⁵ |
| FN BLK | Black Metal Snap-In ⁵ |
| FN SS | Stainless Steel Snap-In ⁵ |
| FW | Wide Stainless Steel Snap-In ⁵ |

Notes:

- 1 NBL, FN, & FW brackets only.
- 2 For single pole switch in a single pole base, specify TIL with single pole circuitry/rating/termination.
- 3 NBL, WBL, & MBL brackets only. With 6M actuator, brackets also will be matte finish.
- 4 6M & 6S actuators only
- 5 Not available with 6M & 6S actuators.
- 6 Consists of WBL bracket, neoprene seal, and dummy rivets at open holes. Consult factory for agency approval status.
- 7 All ratings are appropriate for usage in low voltage applications.
- 8 For additional special circuits, see catalog.
- 9 Custom colors are available, consult factory.
- 10 .187 tab and PC terminations are also available. Consult factory for catalog number callout.
- 11 () momentary
- 12 Not available with WBL or MBL style brackets.
- 13 Available with bracket A, C or H only.
- 14 Not available with MBL, WBL or H brackets. Can be supplied as a double rocker to control separate poles of a TIG, TH or TII switch. Consult factory for details.

2 ACTUATOR STYLE

| | | | |
|----|---|----|---|
| 1S | Angular/Smooth Face Gloss ¹² | 6M | Curved/Smooth Face Matte ³ |
| 1C | Angular/Cross Serrations Gloss ¹² | 6S | Curved/Smooth Face Gloss ³ |
| 1F | Flatted/Smooth Face Gloss ¹² | 7S | Rounded Paddle/Smooth Face Gloss ¹ |
| 1L | Angular/Longline Serrations Gloss ^{1,12} | 7N | Witch's Hat/Narrow ¹⁴ |
| 2L | Long Smooth/Narrow ¹⁴ | 7P | Witch's Hat/Wide ¹⁴ |

LTILA51 - 6M - BL - RC - MBL - 12V

1 Base Part Number 2 Actuator Style 3 Actuator Color 4 Lens Color 5 Bracket 6 Lamp Voltage

1 BASE PART NUMBER: SERIES / POLES / ILLUMINATION / CIRCUITRY ¹² / RATING ¹⁰ / TERMINATION ¹⁴

10A 250VAC, 15A 125VAC, 3/4 HP 125-250VAC, 15A 15-28VDC

illuminated Single Pole in Double Pole base

| solder lug | .250 tab | screw term. | wire leads | |
|------------|----------|-------------|------------|---------------|
| LTILA50 | LTILA51 | LTILA54 | LTILA55 | On-None-Off |
| LTILA5A | LTILA5B | LTILA5E | LTILA5F | (On)-None-Off |
| LTILA5L | LTILA5M | LTILA5S | LTILA5T | On-None-(Off) |
| LTILB50 | LTILB51 | LTILB54 | LTILB55 | On-None-On |
| LTILB5A | LTILB5B | LTILB5E | LTILB5F | On-None-(On) |
| LTILC50 | LTILC51 | LTILC54 | LTILC55 | On-Off-On |
| LTILC5A | LTILC5B | LTILC5E | LTILC5F | On-Off-(On) |
| LTILC5L | LTILC5M | LTILC5S | LTILC5T | (On)-Off-(On) |

illuminated Double Pole

| solder lug | .250 tab | screw term. | wire leads | |
|------------|----------|-------------|------------|--|
| LTIGK50 | LTIGK51 | LTIGK54 | LTIGK55 | |
| LTIGK5A | LTIGK5B | LTIGK5E | LTIGK5F | |
| LTIGK5L | LTIGK5M | LTIGK5S | LTIGK5T | |
| LTIGL50 | LTIGL51 | LTIGL54 | LTIGL55 | |
| LTIGL5A | LTIGL5B | LTIGL5E | LTIGL5F | |
| LTIGM50 | LTIGM51 | LTIGM54 | LTIGM55 | |
| LTIGM5A | LTIGM5B | LTIGM5E | LTIGM5F | |
| LTIGM5L | LTIGM5M | LTIGM5S | LTIGM5T | |

Additional ratings up to 12A 250VAC, 17A 125 VAC, 3/4 HP 125 VAC, 1HP 250VAC are available. Consult factory for specifics.

Three pole switch is also available: Substitute H for fourth digit of part number. ex. LTIHK51

2 ACTUATOR STYLE ⁴

| | |
|----|--|
| 1S | Angular/Smooth Face Gloss ¹ |
| 1C | Angular/Cross Serrations Gloss ¹ |
| 1L | Angular/Longline Serrations Gloss ¹ |
| 6M | Curved/Smooth Face Matte ³ |
| 6S | Curved/Smooth Face Gloss ³ |
| 7S | Rounded Paddle/Smooth Face Gloss ² |

3 ACTUATOR COLOR ¹¹

BL Black WH White RD Red

4 LENS COLOR ¹³

| | | | | | |
|----|-------------------|----|-------|----|--------------------|
| AM | Amber | RC | Red | GN | Green ⁷ |
| LU | Blue ⁷ | CL | Clear | WH | White |

5 BRACKET STYLE ¹¹

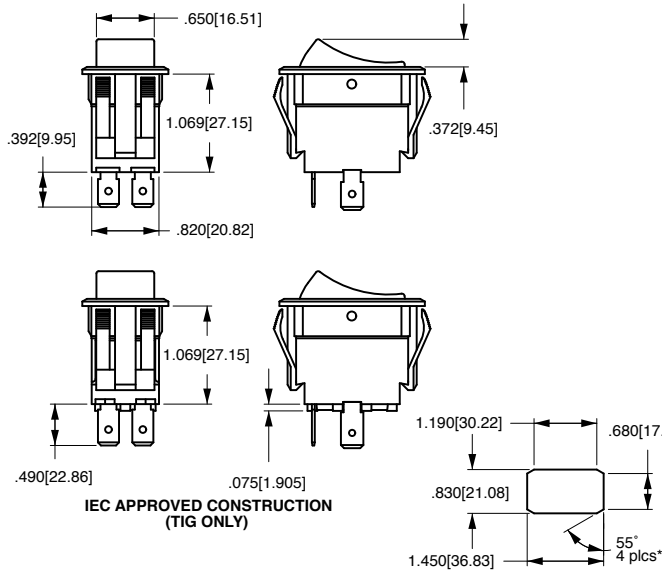
| | |
|--------|--|
| NBL | Nylon Black |
| WBL | Water shedding Black ⁵ |
| MBL | Marine Style Black ^{5,8} |
| FN | Metal Snap-In ^{4,6} |
| FN BLK | Black Metal Snap-In ^{4,6} |
| FN SS | Stainless Steel Snap-In ^{4,6} |

6 LAMP VOLTAGE

| neon ⁹ | | 250N | | 250 volt | |
|-------------------|----------|------|----------|----------|---------|
| 125N | 125 volt | 250N | 250 volt | | |
| incandescent | | 12V | | 18V | |
| 6V | 6 volt | 12V | 12 volt | 18V | 18 volt |
| 24V | 24 volt | 28V | 28 volt | | |

Notes:

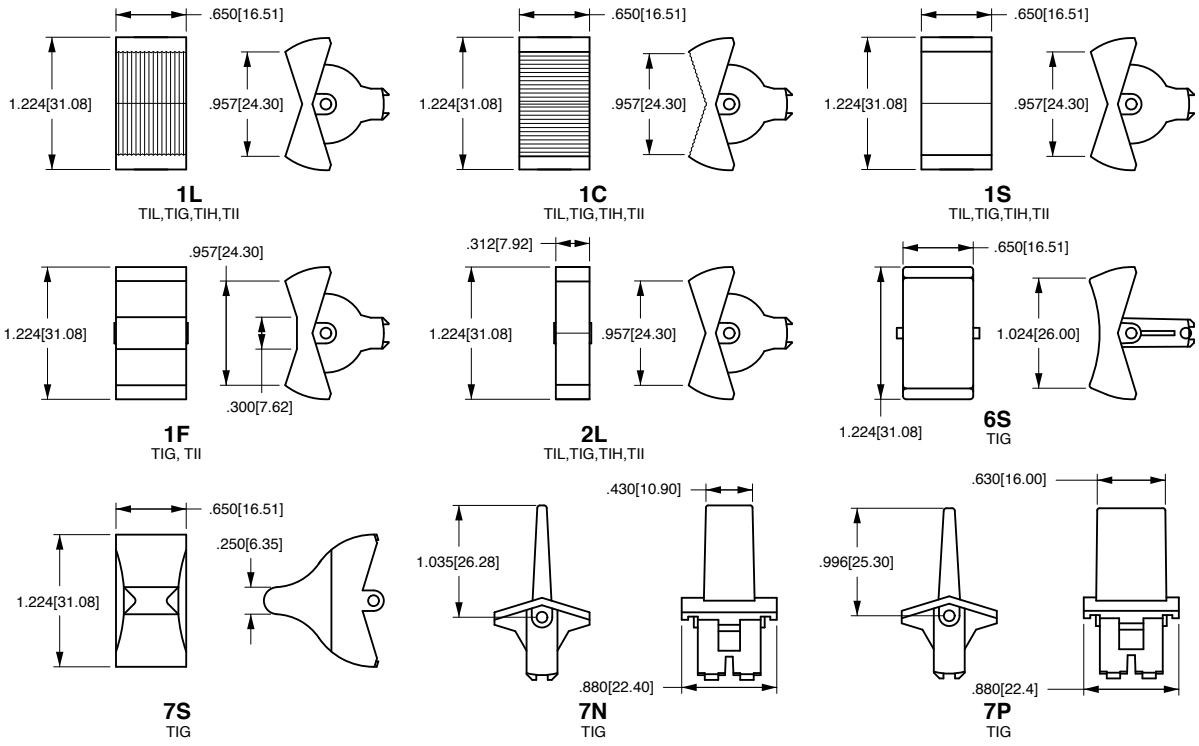
- 1 NBL, FN, & FW brackets only. Double pole circuits provided with 3 pole base.
- 2 LTIL-Series with NBL, FN, & FW brackets only.
- 3 NBL, WBL, & MBL brackets only. With 6M actuator, bracket will also be matte finish.
- 4 1S, 1C, 1L & 7S with NBL bracket only available with LTIL-Series.
- 5 6M, 6S actuators only.
- 6 Not available with 6M and 6S actuators.
- 7 Not recommended with neon lamps.
- 8 Consists of WBL bracket, neoprene seal, dummy rivets at open holes. Consult factory for agency approval status.
- 9 Not recommended with blue or green lenses.
- 10 All ratings are appropriate for usage in low voltage applications.
- 11 Custom colors and additional bracket styles are available, consult factory.
- 12 () - momentary
- 13 All double throw circuits supplied with two lenses. To specify two different lens colors, specify second color, after first color. (ex. LTIGM51-6S-BL-RC/GN-WBL-12V)
- 14 .187 tab and PC terminations are also available. Consult factory for catalog number callout.



| | | |
|----------------------|-----------------|-----------------|
| | | |
| SOLDER LUG | .250 TAB (Q.C.) | .187 TAB (Q.C.) |
| TERMINAL TYPE | | |
| | | |
| SCREW (ASSEMBLED) | WIRE LEAD | PRINTED CIRCUIT |

MOUNTING HOLE
 (Nylon Snap-in Brackets)
 Panel Thickness:
 .030 min. - .250 max.
 Switch should be mounted at 90°
 for maximum water shedding
 (45° to 90° acceptable)

* Angled corners are suggested for optimum fit. Standard rectangular cutout is acceptable.

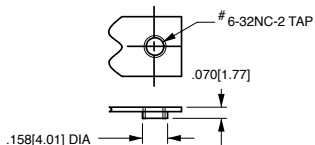


SPECIAL CIRCUITS FOR TIPPETTE ROCKER SWITCHES

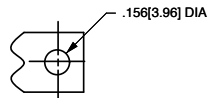
| Circuit | Position 1 | Position 2 | Position 3 |
|--------------------------|--------------------|------------------|--------------|
| Progressive Two Circuit | | | |
| GG | BOTH CIRCUITS ON | ONE CIRCUIT ON | OFF |
| GG | BOTH CIRCUITS (ON) | ONE CIRCUIT ON | OFF |
| Single Pole Triple Throw | | | |
| GE | ON | ON | ON |
| Two Circuit | | | |
| GH | CIRCUIT 1 ON | BOTH CIRCUITS ON | CIRCUIT 2 ON |
| GP | CIRCUIT 2 ON | CIRCUIT 1 ON | OFF |
| Reversing Double Pole | | | |
| Double Throw | | | |
| GO | ON | OFF | ON |
| GX | ON | NONE | ON |

() Indicates momentary function.

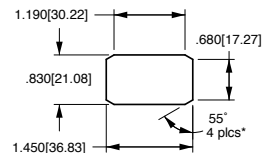
Dimensional Specifications: in. [mm]



TAPPED HOLE
Standard with
A & B Brackets



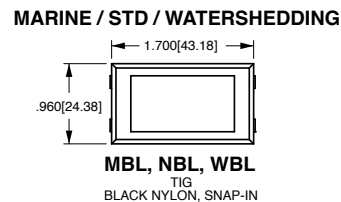
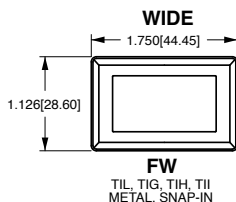
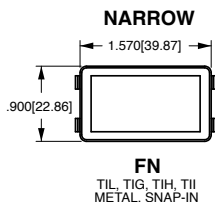
CLEARANCE HOLE
Standard with
C Bracket



MOUNTING HOLE
(Nylon Snap-in Brackets)
Panel Thickness:
.030 min. - .250 max.

* Angled corners are suggested for optimum fit. Standard rectangular cutout is acceptable.

| TIL | TIG | TII | TIH |
|--------------------------|------------------------------|--|-------------------------|
| <p>A TIL</p> | <p>A TIG</p> | <p>A TII</p> | <p>A TIH</p> |
| <p>B TIL</p> | <p>B TIG, TII</p> | | |
| <p>CX TIL</p> | <p>C TIG</p> | <p>C TIH, TII</p> | |
| | <p>H TIG</p> | <p>GCP / GMP GLOSS FINISH / MATTE FINISH HOLE PLUG FOR TIL, TIG, TIH & TII</p> | |



Authorized Sales Representatives and Distributors

Click on a region of the map below to find your local representatives and distributors or visit www.carlingtech.com/findarep.



About Carling

Founded in 1920, Carling Technologies is a leading manufacturer of electrical and electronic switches and assemblies, circuit breakers, electronic controls, power distribution units, and multiplexed power distribution systems. With four ISO registered manufacturing facilities and technical sales offices worldwide, Carling Technologies Sales, Service and Engineering teams do much more than manufacture electrical components, they engineer powerful solutions! To learn more about Carling please visit www.carlingtech.com/company-profile.

To view all of Carling's environmental, quality, health & safety certifications please visit www.carlingtech.com/environmental-certifications

Worldwide Headquarters

Carling Technologies, Inc.
60 Johnson Avenue, Plainville, CT 06062
Phone: 860.793.9281 **Fax:** 860.793.9231
Email: sales@carlingtech.com

Northern Region Sales Office: nrsm@carlingtech.com
Southeast Region Sales Office: sersm@carlingtech.com
Midwest Region Sales Office: mrrsm@carlingtech.com
West Region Sales Office: wrsm@carlingtech.com
Latin America Sales Office: larsm@carlingtech.com

Asia-Pacific Headquarters

Carling Technologies, Asia-Pacific Ltd.,
Suite 1607, 16/F Tower 2, The Gateway,
Harbour City, 25 Canton Road,
Tsimshatsui, Kowloon, Hong Kong
Phone: Int + 852-2737-2277 **Fax:** Int + 852-2736-9332
Email: sales@carlingtech.com.hk

Shenzhen, China: shenzhen@carlingtech.com
Shanghai, China: shanghai@carlingtech.com
Pune, India: india@carlingtech.com
Kaohsiung, Taiwan: taiwan@carlingtech.com
Yokohama, Japan: japan@carlingtech.com

Europe | Middle East | Africa Headquarters

Carling Technologies LTD
4 Airport Business Park, Exeter Airport,
Clyst Honiton, Exeter, Devon, EX5 2UL, UK
Phone: Int + 44 1392.364422 **Fax:** Int + 44 1392.364477
Email: ltd.sales@carlingtech.com

Germany: gmbh@carlingtech.com
France: sas@carlingtech.com



Carling Technologies®

Innovative Designs. Powerful Solutions.